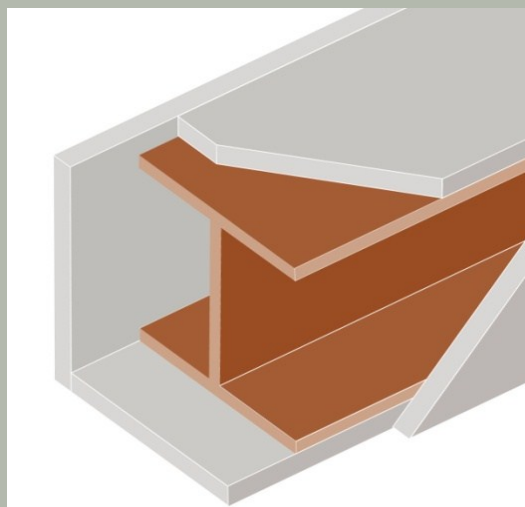
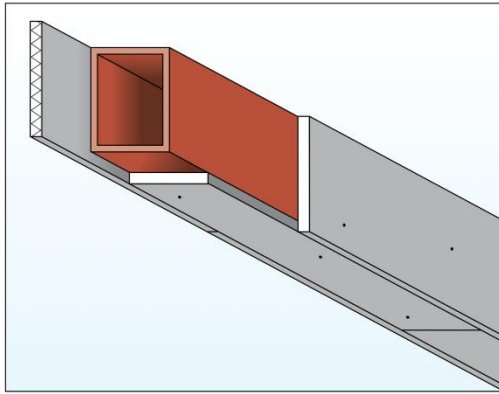


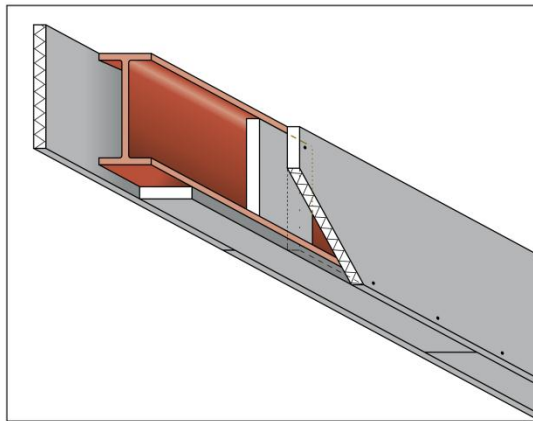
FireFree[®] ScandiBoard

Fire Protection of Steel Constructions

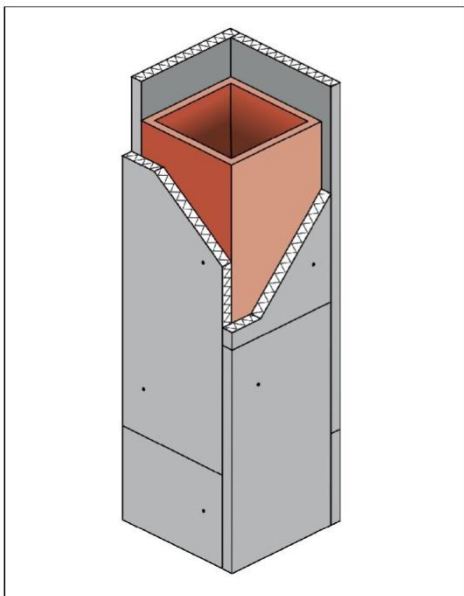




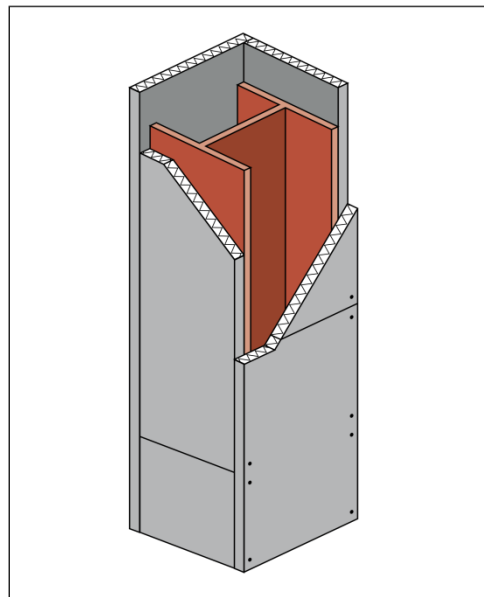
3 sided beam – closed profile



3 sided beam – open profile



4 sided column – closed profile



4 sided column – open profile

FireFree® ScandiBoard

Light weight Passive Fire Protection of Steel Constructions

Tested and classified according to EN 13381-4:2009

European Technical Approval, ETA-12/0231

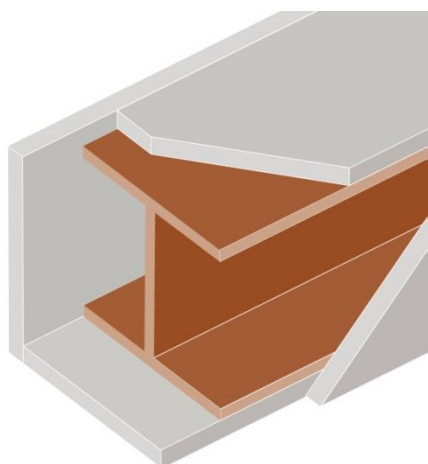
Material Class A1

New possibilities in easy fire resistance

FireFree® ScandiBoard is the fastest product to install in the market. The product is classified according to the new European standards. The board material is FireFree® ScandiBoard and is made of Calcium Silicate.

Fast working procedure

The solution requires only one board, which ensures a fast working procedure and smooth installation. FireFree® ScandiBoard is easy to install.



Facts

- * Easy and quick assembly
- * Lightweight solution
- * High product stability
- * Environmentally correct material – quartz free

Benefits

- * Strong and durable material
- * Easy to handle – and to install
- * Excellent screw holding capacity
- * Much lower weight of the final construction
- * No growing conditions for mold and fungus

Types, dimensions and weight

Type	Weight	Thickness	Width	Length 1	Length 2	Length 3
FireFree® ScandiBoard	5,5 kg/m ²	22 mm	1220 mm	1.000 mm	2.040 mm	2.440 mm
FireFree® ScandiBoard	6,3 kg/m ²	25 mm	1220 mm	1.000 mm	2.040 mm	2.440 mm
FireFree® ScandiBoard	7,5 kg/m ²	30 mm	1220 mm	1.000 mm	2.040 mm	2.440 mm
FireFree® ScandiBoard	8,8 kg/m ²	35 mm	1220 mm	1.000 mm	2.040 mm	2.440 mm
FireFree® ScandiBoard	10,0 kg/m ²	40 mm	1220 mm	1.000 mm	2.040 mm	2.440 mm
FireFree® ScandiBoard	11,3 kg/m ²	45 mm	1220 mm	1.000 mm	2.040 mm	2.440 mm
FireFree® ScandiBoard	12,5 kg/m ²	50 mm	1220 mm	1.000 mm	2.040 mm	2.440 mm
FireFree® ScandiBoard	13,8 kg/m ²	55 mm	1220 mm	1.000 mm	2.040 mm	2.440 mm
FireFree® ScandiBoard	15,0 kg/m ²	60 mm	1220 mm	1.000 mm	2.040 mm	2.440 mm



Scandi Supply a/s • Energivej 2 • DK-5492 Vissenbjerg • Tlf. +45 7624 4800 • Fax +45 7624 4801 • mail@scandisupply.dk

In case of fire, buildings need protection, valuables need shielding and human lives must be saved. The cornerstone in this respect is passive fire protection of building constructions, and Scandi Supply is a leading supplier of complete solutions to this end.

Safety has top priority for Scandi Supply, and we take pride in choosing the right solution for every task. We never take a task lightly, and we are committed to making it easy for our customers and business partners to create valuable and secure results. Close cooperation is what leads to long lasting relations ...

With over 20 years experience our advice and guidance are thoroughly tested - just like our products. We constantly work to develop innovative solutions and obtain new approvals.

Please contact Scandi Supply to discuss your projects within the field of passive fire protection.

www.scandisupply.com